

# Full Height Turnstile

**FHT2400** Full Height Turnstile

**FHT2411** Full Height Turnstile  
(RFID Access Control System)

**FHT2422** Full Height Turnstile  
(Fingerprint and RFID Access Control System)

The ZKTeco FHT2400 Full Height Turnstile is the most secure cost-effective entrance control system designed for high-traffic volume.

FHT2400 is a full height turnstile series designed to provide the utmost perimeter security. The possibility of tailgating and "hop-overs" is completely eliminated.

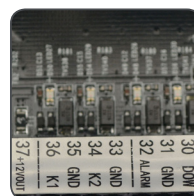
Besides securing door entrances and interior lobbies, the perimeter security of a building is an important extra layer of protection from unauthorized visitors. FHT2400 is an all metal full height turnstile that is extremely durable & secure and is suitable for outside use. Its rugged construction ensures trouble free and dependable operation.

FHT2400's nine rotating steel metal barriers are normally held in a locked position, thus denying passage to the secured side. Upon FHT2400's reader (RFID and/or biometric) positively recognizing a user's valid access card or biometric credential, its barriers unlock automatically, thus allowing users passage to the secured side.

During emergencies and power outages the barriers automatically unlock, thereby ensuring users FAST unencumbered exit to safety.

FHT2400 provides both **security** and **convenience**, all in a very durable yet clean design.

## Built-in Reader Integration

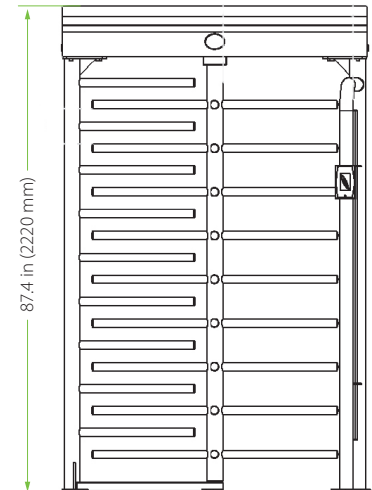
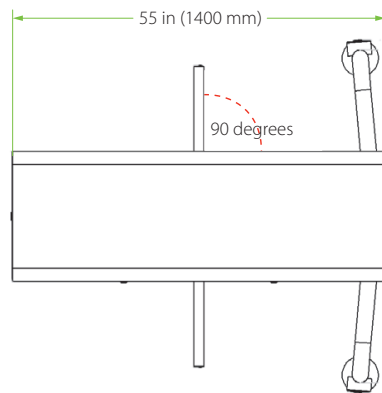
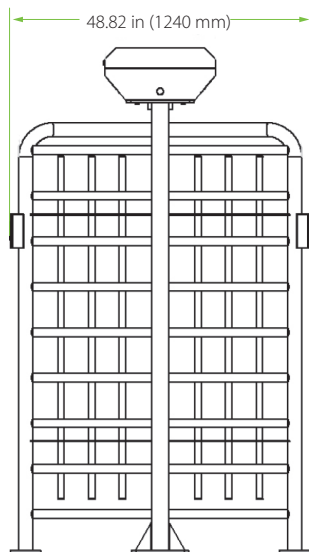


- FHT2400 series can be pre-ordered from the factory with an integrated RFID card or fingerprint reader (pictured on the left)... or any other biometric reader (i.e. face, finger-vein, palm-vein, etc). This greatly reduces installation time & expense.
- FHT2400 series and associated access control readers are all factory-tested prior to shipping.
- ZKTeco provides true plug 'n play turnstiles with the lowest possible total cost of ownership in the industry!

# Specifications

	<b>Power Supply</b>	AC110V/220V, 50/60Hz
<b>Power consumption</b>	<b>Starting</b>	20W
	<b>Standby</b>	7W
	<b>Unlock</b>	22W
	<b>Working temperature</b>	-28°F to 140°F
	<b>Working humidity</b>	0% ~ 95%
	<b>IP-rating</b>	IP54
<b>Speed of throughput</b>	<b>RFID</b>	Maximum 30/minute
	<b>Fingerprint</b>	Maximum 25/minute
	<b>Face</b>	Maximum 15/minute
	<b>Vein</b>	Maximum 15/minute
	<b>Lane width</b>	23 in (580 mm) / barriers are angled at 90 degrees
	<b>Footprint</b>	55.12 x 48.82 in (1400 x 1240 mm)
	<b>Dimension (H x W x D)</b>	87.4 x 55 x 51.97 (2220 x 1400 x 1320 mm)
	<b>LED indicator</b>	Y
	<b>Cabinet material</b>	SUS304 Stainless Steel
	<b>Barrier material</b>	SUS304 Stainless Steel
	<b>Barrier movement</b>	Rotating
	<b>Emergency mode</b>	Y
	<b>Security level</b>	High
	<b>MCBF</b>	2 million cycles

# Dimensions



## ZKTeco USA

6 Kingsbridge Road, Unit 8, Fairfield, NJ 07004  
 Phone: (862) 505-2101 • Fax: (862) 204-5906 • sales@zktecousa.com • www.zktecousa.com

© Copyright 2016. ZKTeco Inc. ZKTeco Logo and ZKAccess Logo are registered trademarks of ZKTeco or a related company. All other product and company names mentioned are used for identification purposes only and may be the trademarks of their respective owners. All specifications are subject to change without notice. All rights reserved.

