



617: The new electromechanical barrier.
Simplicity in motion.

FAAC
Simply automatic.



617: The simple, reliable electromechanical barrier

Irreversible electromechanical operator

The irreversible motor guarantees holding of the boom position to prevent break-in attempts.

Rapid conversion from right to left version

Changing the opening side is an easy task and can be carried out directly on-site. No need to keep multiple products in stock.

Solid, sturdy body

The weather-resistant zinc-coated steel body is treated with polyester powder paint finish.

Ideal for medium transit frequency passageways and for controlling access to small or medium-size private areas and car parks.

With its flexible length up to 7 metres long and 2.5 second opening time the barrier is ideal for residential applications, condominiums and small car parks.

Manual release with spanner

Releasing the barrier is easy simply by using a spanner.



Automatic set-up through self-learning

Setting up the barrier for operation is very quick and extremely easy with the self-learning function.

Compatible with rectangular and round booms, optional indicator lights

The 617 is compatible with existing rectangular or round FAAC booms; the latter are suitable for installing lights suitable for installing integrated beam lights.



Easy installation

The large power cable routing hole, the removable side hatch and the ample operating space inside make installation easy and very fast.

Adjustable opening and closing deceleration, smooth movements

Electric limit switches and mechanical stops for adjusting the end of the opening and closing strokes ensure smooth boom movements.

Large internal space to facilitate installation and arrangement of accessories

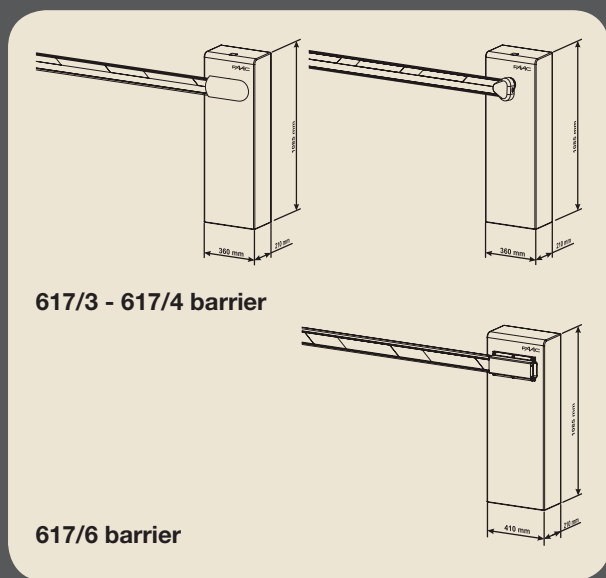
Plenty of free space is provided inside to allow a high degree of freedom for housing accessories and for installation.

Preset logic electronics for quick, user-friendly barrier configuration

The control board has no fewer than seven preset boom operating logics to choose from. No manual parameter setting is needed.

DIMENSIONS AND TECHNICAL SPECIFICATIONS

MODEL	617		
	3	4	6
Power supply voltage	230 V~, 50/60 Hz		
Electric motor	Electromechanical, grease-lubricated		
Power consumption (W)	315	380	
Absorbed current (A)	1.1	1.7	
Thermal protection (°C)	140		
Capacitor (µF)	12.5		
Effective torque (Nm)	60	100	150
Opening time (s)	2.5	5	8
Max. boom length (m)	3	5	7
Type and frequency of use at 20°C	S3 - 50%		S3 - 60%
Ambient temperature (°C)	-20		+55
Operator weight (kg)	63		69
IP protection rating	IP 44		
Electronic board	615BPR		
Cabinet colour	Grey (RAL 9006)		
Cabinet size (mm)	360x210x1085 (booms up to 5 m long) 410x210x1085 (booms up to 7 m long)		
Boom type	Compatible with current FAAC round and rectangular booms		
Lights on boom	Yes, with round booms only (optional)		



SPECIFIC ACCESSORIES FOR ROUND BOOMS



■ Boom light connection kit



■ Luminous cord 5 m

SPECIFIC ACCESSORIES FOR RECTANGULAR BOOMS



■ Articulation kit

HEADQUARTERS

ITALY

FAAC SpA
Via Calari 10 - 40069 Zola Predosa (BO)
Tel. +39 051 61724 - Fax +39 051 758518
it.info@faacgroup.com - www.faacgroup.com

SUBSIDIARIES

ASIA - PACIFIC

FAAC MALAYSIA
Selangor, Malaysia
tel. +60 3 5123 0033
www.faac.international

AUSTRALIA

FAAC AUSTRALIA PTY LTD
Homebush – Sydney, Australia
tel. +61 2 87565644
www.faac.com.au

AUSTRIA

FAAC GMBH
Salzburg, Austria
tel. +43 662 8533950
www.faac.at

FAAC TUBULAR MOTORS
tel. +49 30 56796645
faactm.info@faacgroup.com
www.faac-tubularmotors.com

BENELUX

FAAC BENELUX NV/SA
Brugge, Belgium
tel. +32 50 320202
www.faacbenelux.com

FAAC TUBULAR MOTORS
7007 CN Doetinchem, The Netherlands
tel. +31 475 406014
faactm.info@faacgroup.com
www.faac-tubularmotors.com

KEMKO AUTOMATIC ENTRANCES
7007 CN Doetinchem, The Netherlands
tel. +31 314 378777
www.kemko.nl

BRAZIL

INDÚSTRIAS ROSSI ELETROMECAÂNICA SA
Brasília DF, Brazil
tel. +55 61 33998787
www.rossiportoes.com.br

CHINA

FAAC SHANGHAI
Shanghai, China
tel. +86 21 68182970
www.faacgroup.cn

FRANCE

FAAC FRANCE
Saint Priest - Lyon, France
tel. +33 4 72218700
www.faac.fr

FAAC FRANCE - AGENCE PARIS
Massy - Paris, France
tel. +33 1 69191620
www.faac.fr

FAAC FRANCE - DEPARTEMENT VOLETS
Saint Denis de Pile - Bordeaux, France
tel. +33 5 57551890
www.faac.fr

GERMANY

FAAC GMBH
Freilassing, Germany
tel. +49 8654 49810
www.faac.de

FAAC TUBULAR MOTORS
tel. +49 30 56796645
faactm.info@faacgroup.com
www.faac-tubularmotors.com

INDIA

FAAC INDIA PVT. LTD
Noida – Delhi, India
tel. +91 120 3934100/4199
www.faacindia.com

IRELAND

NATIONAL AUTOMATION LTD
Co. Roscommon, Ireland
tel. +353 71 9663893
www.nal.ie

MIDDLE EAST

FAAC MIDDLE EAST FZE
Dubai Silicon Oasis Operation Center - Dubai, UAE
tel. + 971 4 3724190
www.faac.ae

POLAND

FAAC POLSKA SP.ZO.O
Warszawa, Poland
tel. +48 22 8141422
fax +48 22 8142024
www.faac.pl

RUSSIA

FAAC RUSSIA
Moscow, Russia
tel. +7 (495) 646 24 29
www.faac.ru

SCANDINAVIA

FAAC NORDIC AB
Perstorp, Sweden
tel. +46 435 779500
www.faac.se

SOUTH AFRICA

FAAC SOUTH AFRICA
2040 Johannesburg
tel. +27 11 794 4525
www.faac.international

SPAIN

CLEM, S.A.U.
San Sebastián de los Reyes - Madrid, Spain
tel. +34 91 3581110
www.faac.es

SWITZERLAND

FAAC AG
Altdorf, Switzerland
tel. +41 41 8713440
www.faac.ch

TURKEY

FAAC OTOMATİK GEÇİŞ SİSTEMLERİ
SAN. VE TİC. LTD. SIRTEKI
İstanbul, Turkey
tel. +90 (0)212 - 3431311
www.faac.com.tr

UNITED KINGDOM

FAAC UK LTD.
Basingstoke Hampshire, UK
tel. +44 1256 318100
www.faac.co.uk

U.S.A.

FAAC INTERNATIONAL INC
Rockledge, FL - U.S.A.
tel. +1 866 925 3222
www.faacusa.com

FAAC INTERNATIONAL INC
Fullerton, California - U.S.A.
tel. +1 714 446 9800
www.faacusa.com

